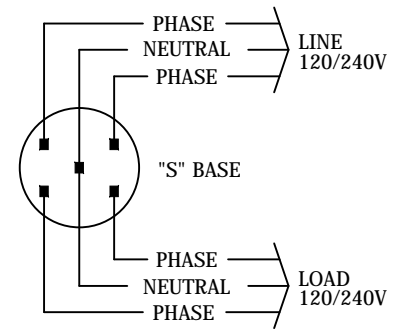
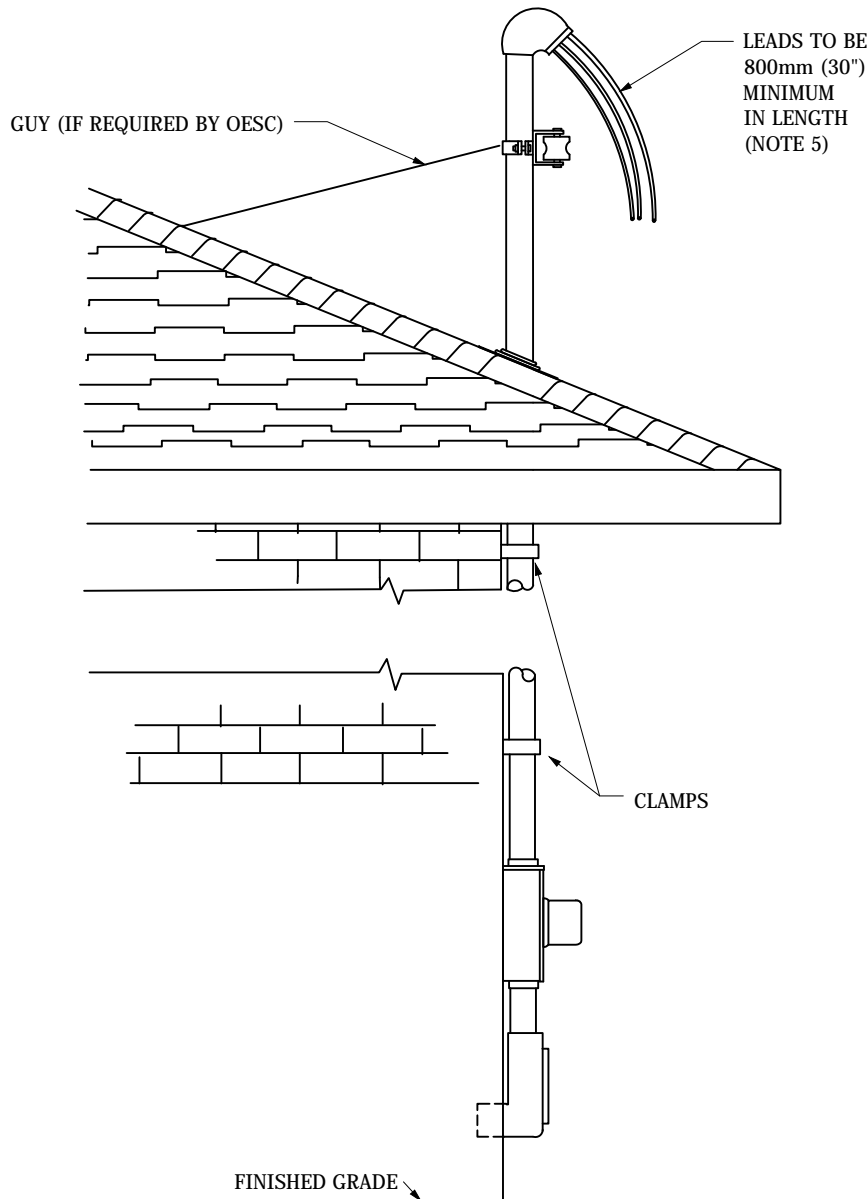


PIPE MAST



METER BASE SCHEMATIC

NOTES:

1. CONTACT HORIZON UTILITIES CORP. PRIOR TO INSTALLATION FOR SERVICE LOCATE.
2. FOR 100A & 200A SERVICES. A 4 JAW METER SOCKET IS REQUIRED.
3. FOR MULTIPLE METER INSTALLATIONS, REF. STD. 27-01C.
4. FOR WEATHERHEAD CONNECTION DETAILS, REF. STD. 25-100.
5. SERVICE MAST INSTALLATION IN ACCORDANCE WITH ONTARIO ELECTRICAL SAFETY CODE (OESC)

ALL DIMENSIONS ARE IN mm UNLESS OTHERWISE SPECIFIED



DRAWING STATUS	BY	DATE DD/MM/YY
DRAWN	GA	30/05/14
CHECKED	RM	27/03/15
APPROVED	DH	27/03/15

RESIDENTIAL SECONDARY SERVICE
MAST DETAIL
(SINGLE STORY)

REFERENCE DRAWINGS:
27-01C
25-100

DRAWINGS
NOT TO SCALE

DRAWING #
27-01A.1

SHEET#	REVISION#
1	0