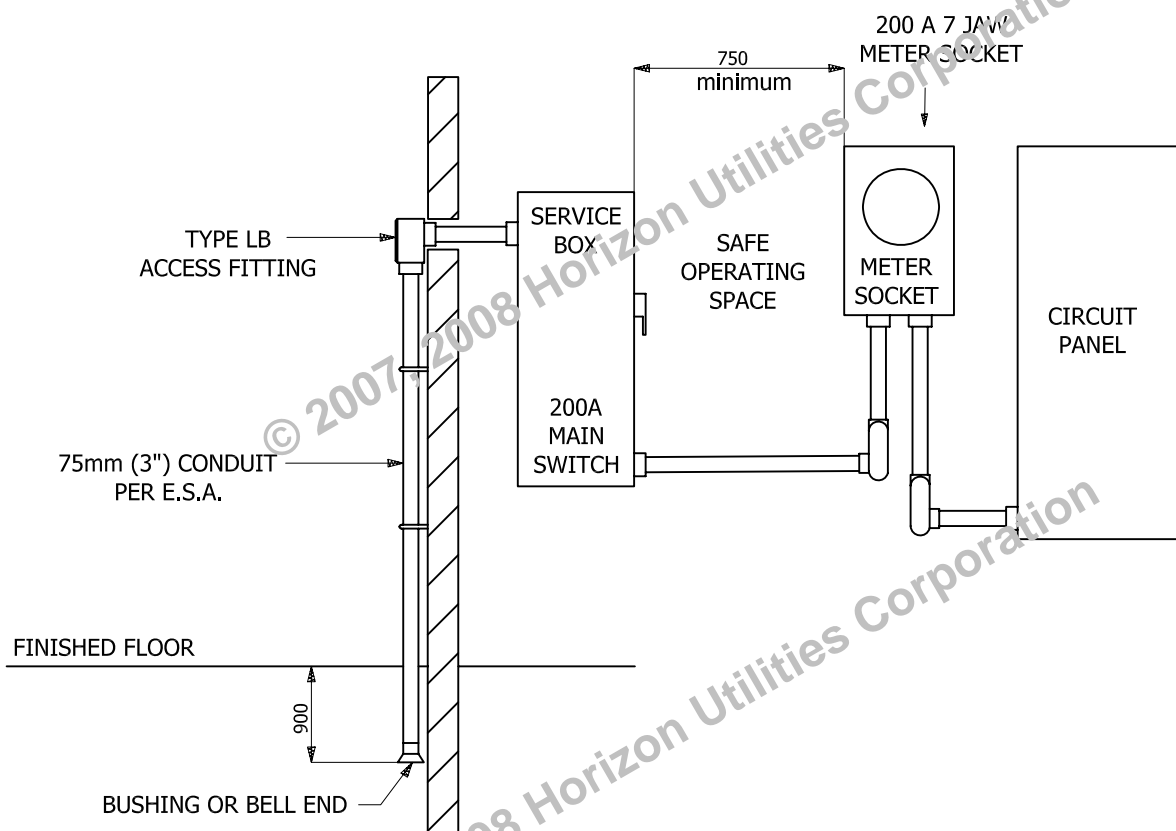


LEFT HAND VIEW



NOTES:

1. MAIN SWITCH SHALL BE RATED 200A WITH 3/0 AWG AL/CU SUPPLY CONNECTORS FOR UNDERGROUND SERVICE CABLE.
2. A FULL-SIZED NEUTRAL SUPPLY CONDUCTOR SHALL BE CONNECTED TO AN INSULATED NEUTRAL TERMINAL INSIDE THE METER BASE.
3. SUPPLY CABLE TO BE CONNECTED RED, BLACK, BLUE, LEFT TO RIGHT INSIDE MAIN SWITCH AND X0-WHITE, X1-RED, X2-BLACK, X3-BLUE AT THE TRANSFORMER.
4. THE CUSTOMER MUST PROVIDE UNRESTRICTED ACCESS TO THE METERING AND MAY BE REQUIRED TO PURCHASE A HORIZON UTILITIES CORP. KEY BOX TO BE INSTALLED ON SITE.



DRAWING STATUS	BY	DATE DD/MM/YY
DRAWN:	JM	28/06/07
CHECKED:	AV	15/09/05
APPROVED:	CR	15/09/05

**SERVICE ENTRANCE AND METER INSTALLATION 200A-120/208V OR 600/347V 3-PHASE 4-WIRE**

LINEAR DIMENSIONS SHOWN IN MILLIMETERS

DRAWINGS NOT TO SCALE

DRAWING #	SHEET#	REVISION#
27-04	1	0

REFERENCE DRAWINGS: