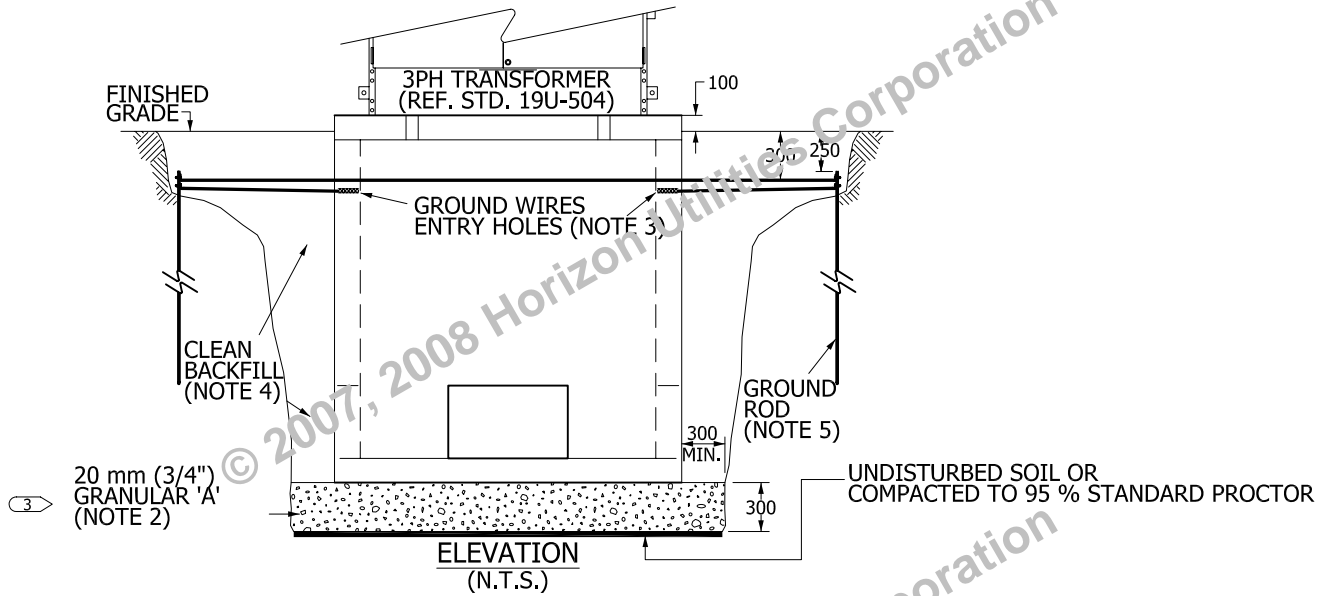


#2/0 AWG Cu. BARE GROUND GRID



NOTES:

1. THE FOUNDATION SHALL BE ORIENTED AS PER CONSTRUCTION DRAWING WITH TOP SURFACE HAVING A MAXIMUM 1% SLOPE.
2. GRANULAR 'A' BEDDING, FOUNDATION AND GROUND GRID INSTALLATION ARE ALL SUBJECT TO HORIZON UTILITIES CORPORATION INSPECTION.
3. DUCTS AND GROUND WIRE ENTRY HOLES SEALED WITH FOAM OR EQUIVALENT.
4. PLACE BACKFILL IN THOROUGHLY COMPACTED 300mm LAYERS.
5. REFER TO STD. 41U-110, DETAIL 4 FOR GROUND ROD INSTALLATION.
6. FOUNDATION BASE TO BE SOLID TYPE, (NOT RING-TYPE).
7. SYMBOL "◁" IS FOR HORIZON UTILITIES CORPORATION'S INTERNAL USE.

++ - QUANTITY/LENGTH TO SUIT

BILL OF MATERIALS		
Part No.	Qty	Description
ROG 10	4	ROD, GROUND, 10' x 3/4"
SZD	++	SEALANT, FOAM, DUCT
SPB 7272	1	FOUNDATION BASE 72"X72"
SPW 7272	1	FOUNDATION WALL 72"X72"
SPT 7272	1	FOUNDATION COVER 72"X72"
WCB 20	++	WIRE, #2/0 AWG Cu
CLGR 1034	6	CLAMP GROUND ROD 3/4"
-	++	GRANULAR 'A' 3/4"



DRAWING STATUS	BY	DATE DD/MM/YY
DRAWN:	JM	31/07/07
CHECKED:	KAR	05/12/07
APPROVED:	BM	10/12/07

TYPICAL INSTALLATION OF THE THREE PIECE PRE-CAST CONCRETE FOUNDATION AND GROUND GRID FOR THREE PHASE PAD MOUNTED TRANSFORMER
 (UP TO 1500KVA)
 2.4/4.16KV TO 16/27.6KV
 LINEAR DIMENSIONS SHOWN IN MILLIMETERS

DRAWINGS NOT TO SCALE

REFERENCE DRAWINGS:
 19U-504
 41U-110

DRAWING #	SHEET#	REVISION#
19U-362	1	3